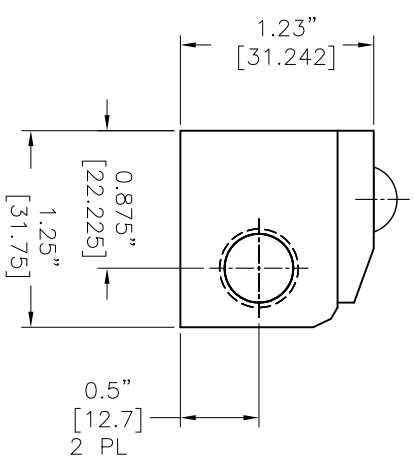
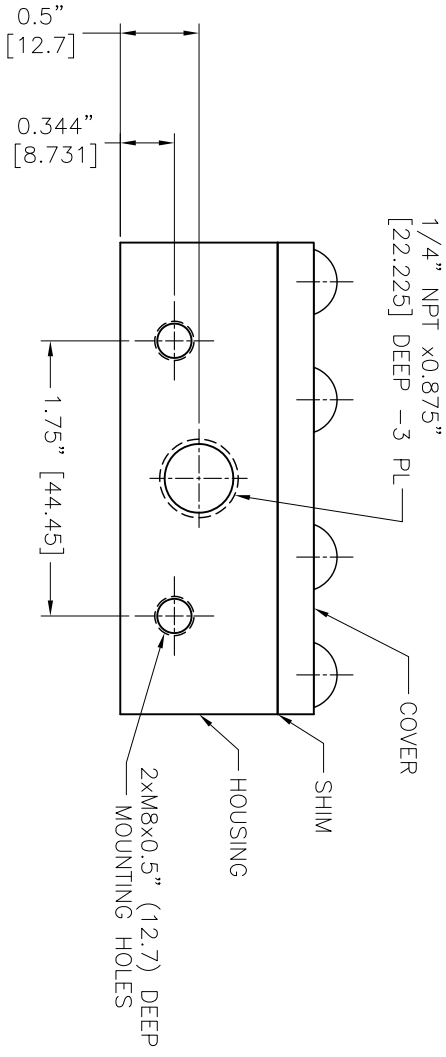
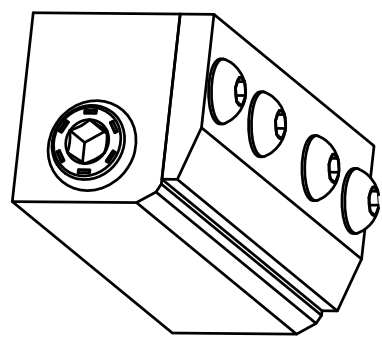
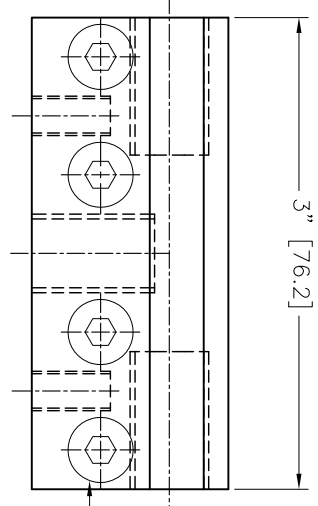


REVISIONS			
REV	DESCRIPTION	DATE	APPROVED
1			

- NOTES:
- 1 ALL DIMENSIONS SHOWN ARE FINISH OPERATIONAL DIMENSIONS WHICH INCLUDE RESIDUAL COATINGS UNLESS OTHERWISE SPECIFIED.
 - 2 PART TO BE PACKED PROPERLY TO AVOID ANY DAMAGE WHILE SHIPPING & HANDLING.
 - 3 ALL HORIZONTAL DIMENSIONS ARE SYMMETRICAL ABOUT VERTICAL CENTER LINE UNLESS OTHERWISE SPECIFIED.



THIRD ANGLE PROJECTION 		OTHERWISE SPECIFIED	
MATERIAL ALUMINUM/SS-304		CONTRACT NUMBER -	
FINISH -		CLIENT -	
<small>5 IN ACCORDANCE WITH AND 10387</small>		CONTRACTOR -	
DATE 03/09/2014		DATE 03/09/2014	
DESIGN LES		DESIGN SERGIO	
PROJECT -		PROJECT -	
MANUFACTURING -		MANUFACTURING -	
MATERIALS -		MATERIALS -	
ELECTRICAL -		ELECTRICAL -	
TITLE 3" STANDARD AIR BLADE AIR KNIFE		SCALE 1:1	
SIZE C		CAD NO SAK-03	
DMG NO 10003		SHEET 1 OF 1	
RELEASE P		REV 1	
REV 1		REV 1	

NEX FLOW AIR PRODUCTS CORP.
 10520 YONGE STREET, UNIT 258-220, RICHMOND HILL, ON L4C 3C7
 TEL: (416) 410-5113 & FAX: (416) 410-1806 www.nex-flow.com